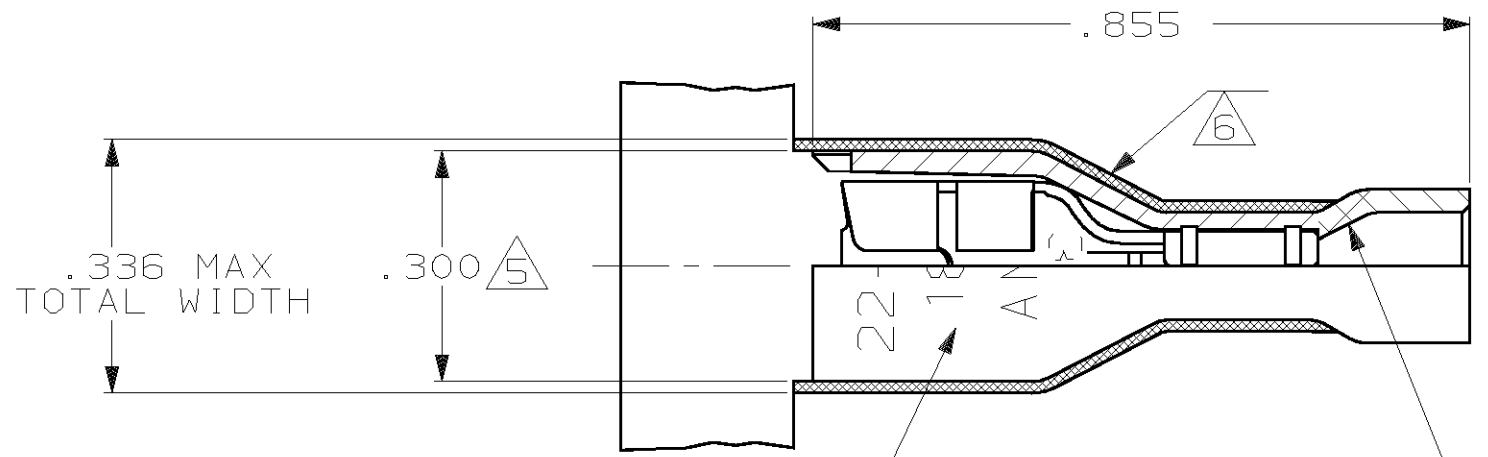
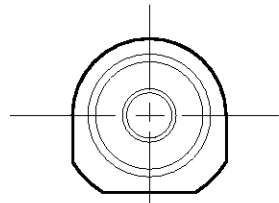
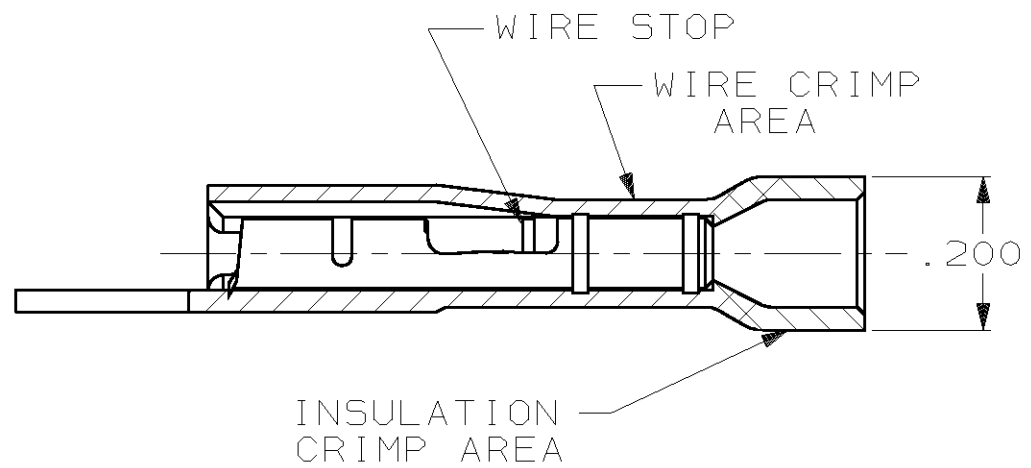
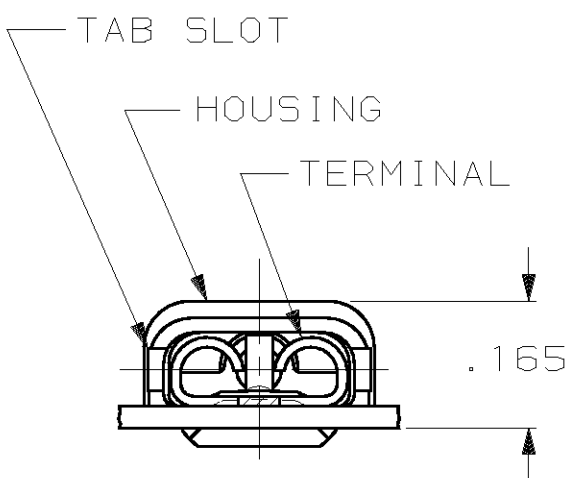


THIS DRAWING IS UNPUBLISHED. RELEASED FOR PUBLICATION, 19  
 © COPYRIGHT 19 BY AMP INCORPORATED. ALL INTERNATIONAL RIGHTS RESERVED.

LOC AF	DIST 50	P	F	REVISIONS			DATE	APPD
				ZONE	LTR	DESCRIPTION		
					L	REV PER 0G1A-0148-99	4JUN99	JR/JH



- 1 MATES WITH .032±.001×.187 TAB
- 2 WIRE STRIP LENGTH .281
- 3 INSULATION SIZE .060-.135 DIA
- 4 CONTINUOUS STRIP ON REELS
- 5 DIMENSION DOES NOT INCLUDE TRIM BURR
- 6 .015 MAX CARRIER TRIM BURR PER SIDE IS ALLOWABLE IN THE SHADED AREA



HOUSING: NYLON, COLOR-RED TRANSLUCENT		2-520403-2	
RECEPTACLE: #3 HARD BRASS TIN PL .000080 MIN THK		PART NO	
MATERIAL & FINISH		AMP INCORPORATED Harrisburg, Pa. 17105	
DO NOT SCALE PRINT. UNLESS SPECIFIED DIMENSIONS IN INCHES TOLERANCES ON: 2 PLC DEC ± - 3 PLC DEC ± .015 ANGLES ± -	DR 10/31/88 P FORTNEY	NAME RECEPTACLE ASSY, ULTRA-FAST PLUS, .187 SERIES, 22-18 AWG	
MATERIAL SEE TABLE	CHK 11/4/88 MS FEHER		
FINISH SEE TABLE	APPD 11/4/88 K RANDOLPH	SIZE <b>B</b>	FSCM NO 00779
	APPD 11/14/88 TL SHUTTER	DRAWING NO 520403	
	PRODUCT SPEC 108-2044	SCALE 4:1	SHEET 1 OF 1
	APPLICATION SPEC 114-2123		
	WEIGHT -		